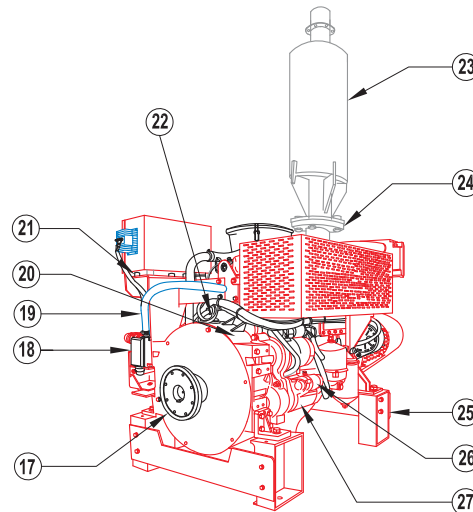
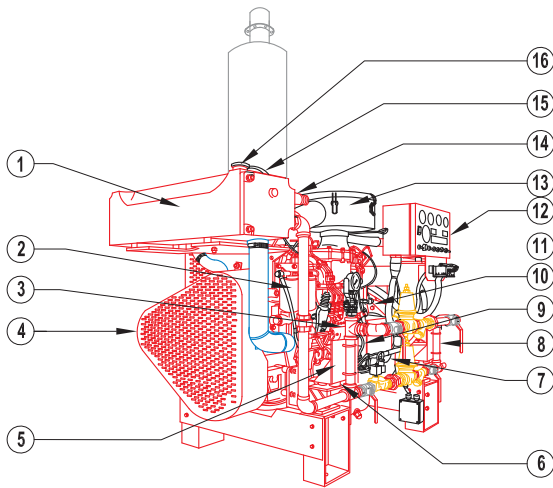


# 128 HP DIESEL ENGINE



Heat Exchanger Cooled, Naturally Aspirated  
7.52 Liter, 6 Cylinder Engine



## MATERIAL FEATURES & DETAILS

- |   |                                   |
|---|-----------------------------------|
| 1. heat exchanger assembly              | 16. pressure cap coolant          |
| 2. fuel filter                          | 17. flange fire pump drive        |
| 3. fuel feed pump                       | 18. heater assembly               |
| 4. safety guard front engine            | 19. heater outlet connection      |
| 5. mounting bracket cooling loop        | 20. flywheel housing              |
| 6. vibration pad                        | 21. isolator pad                  |
| 7. oil pressure sensor                  | 22. magnetic pick up (rpm sensor) |
| 8. cooling loop piping                  | 23. muffler                       |
| 9. dipstick gauge                       | 24. exhaust outlet connection     |
| 10. heater inlet connection             | 25. mounting bracket engine       |
| 11. starter solenoid                    | 26. battery starter solenoid      |
| 12. instrument panel board/terminal box | 27. starter motor                 |
| 13. air filter                          |                                   |
| 14. coolant expansion tank              |                                   |
| 15. coolant expansion tube              |                                   |

# MODEL FC 6150-UL

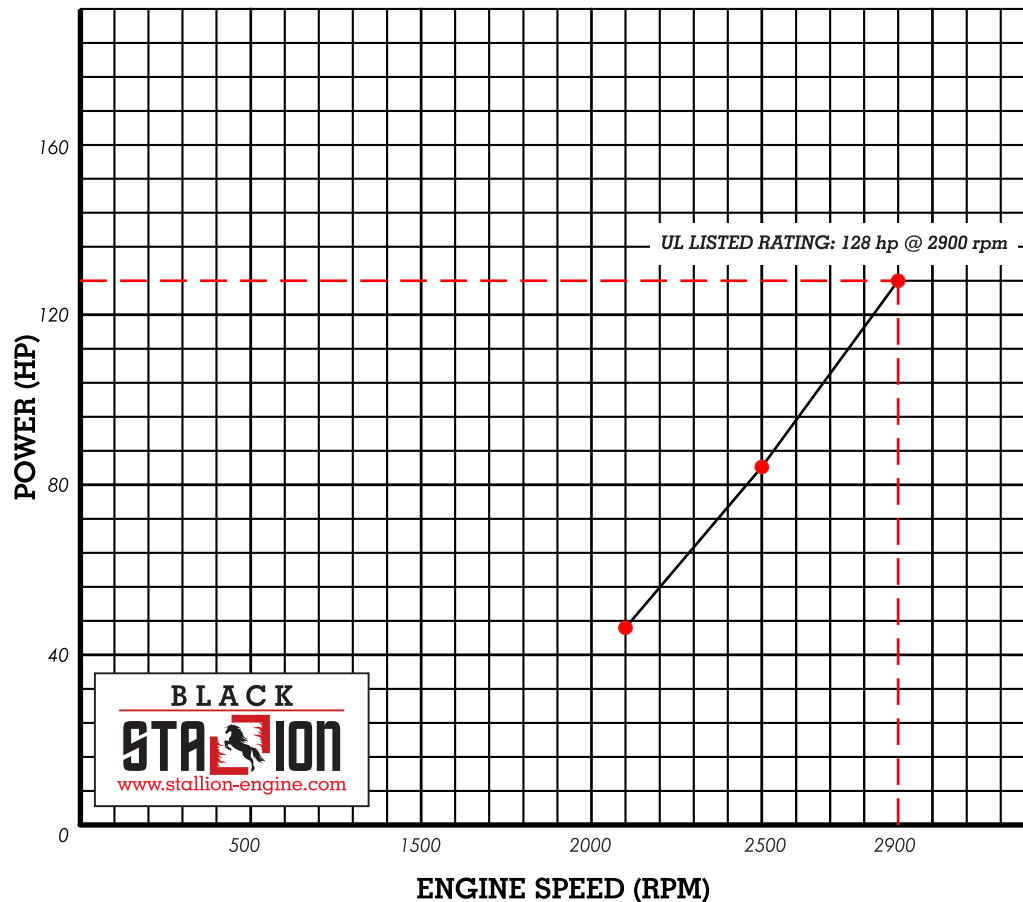
ITEM	DESCRIPTION
Air Filter	Disposable, Dry Type
Alternator	28V, 45 Amps
Coupling	Stub Shaft
Fuel Connections	Flexible, Supply and Return Lines
Fuel Filter	Spin-On Type
Fuel Injection System	In-line type, Gear Driven
Engine Heater	230V-AC, 2250 Watts
Governor Speed	Constant Speed, Mechanical
Heat Exchanger	Water to Water, Shell to Tube type
Instrumentation Panel	Tachometer, Hourmeter, Water Temperature, Oil Pressure and Two (2) Voltmeters
Lube Oil Filter	Spin-On Type
Manual Start Control	On Instrument Panel
Overspeed Control	Electronic with Reset and Test on Instrument Panel
Raw Water Solenoid Operation	Automatic from Fire Pump Controller and from Engine Instrument Panel
Stop Solenoid	24V-DC Energized to Stop
Starters	TWO (2) 24VDC
Throttle Control	Adjustable Speed Control, Tamper Proof



# MODEL FC 6150-UL

Heat Exchanger Cooled, Naturally Aspirated  
7.52 Liter, 6 Cylinder Engine  
128 HP Diesel Engine

## PERFORMANCE CURVE



**NOTE:**  
FOR USE IN FIRE PUMP APPLICATIONS ONLY.

## ENGINE SPECIFICATION

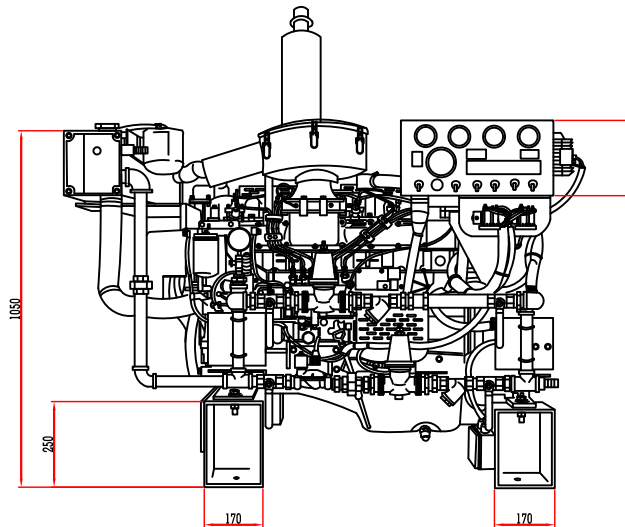
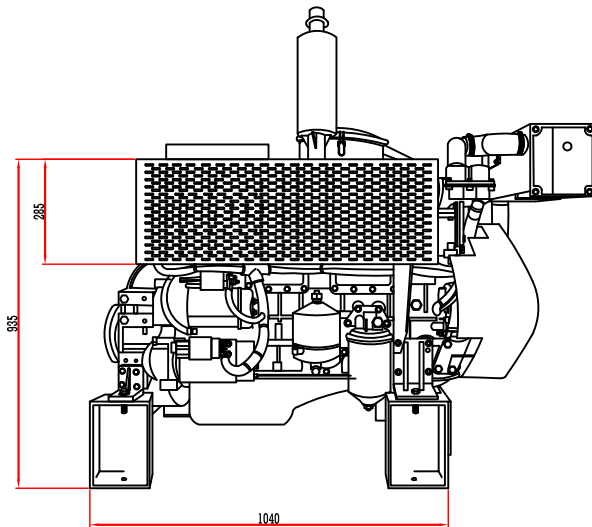
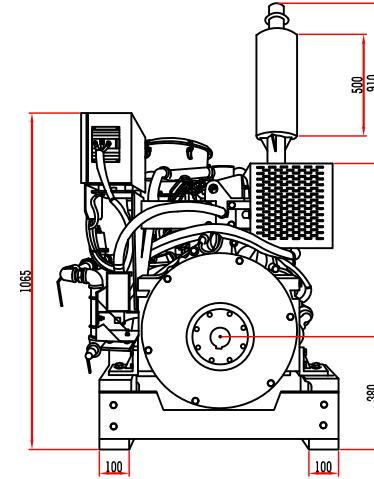
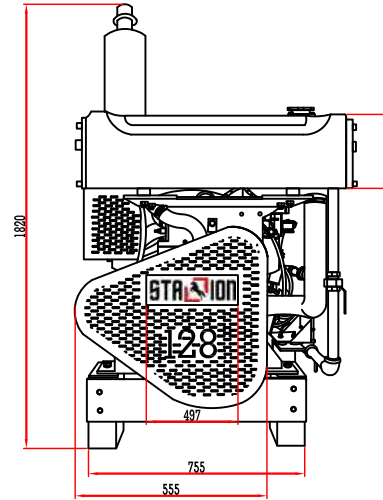
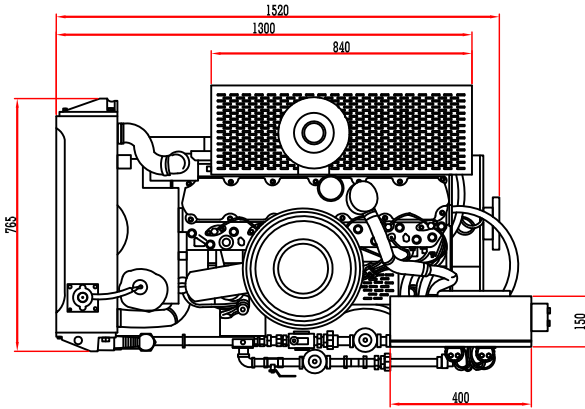
ITEM	DESCRIPTION
Speed	2900 RPM
Rated Power	128 HP
Number of Cylinders	6
Aspiration	Naturally Aspirated
Rotation*	Clockwise
Weight – kg (lb)	810 kg. (1785.74 lb)
Compression Ratio	17 : 1
Displacement	7521 cc
Engine Type	4 Stroke Cycle - Inline Construction
Bore & Stroke	113 mm X 125 mm
Fuel Consumption	32.7273 Kg./Hr
Voltage	24 VOLTS
Exhaust Temperature	650°C
Back Pressure	Not more than 15 Kpa
Raw Water Inlet Size	1 inch
Max. Raw Water Pressure	60 psi
Min. Raw Water Flow	25 gpm
Water Jacket Heater Size	2250 W, 240 VAC

\* ROTATION VIEWED FROM HEAT EXCHANGER/FRONT OF ENGINE

- Each engine is factory tested to verify power and performance.
- Engines are to be used for stationary emergency standby fire pump service only. Engines are to be tested in accordance with NFPA 25.
- Engines are rated at standard SAE conditions of 29.61 in. (752.1 mm) Hg barometer and 77°F (25°C) inlet air temperature [approximates 300 ft (91.4 m) above sea level] by the testing laboratory (see SAE Standard J 1349).
- A deduction of 3 percent from engine horsepower rating at standard SAE conditions shall be made for diesel engines for each 1000 ft. (305 m) altitude above 300 ft. (91.4 m)
- A deduction of 1 percent from engine horsepower rating as corrected to standard SAE conditions shall be made for diesel engines for every 10°F (5.6°C) above 77°F (25°C) ambient temperature.

# MODEL FC 6150-UL

Heat Exchanger Cooled, Naturally Aspirated  
7.52 Liter, 6 Cylinder Engine  
128 HP Diesel Engine



<b>NOMENCLATURE</b>	<b>FC</b>	<b>6</b>	<b>150</b>	<b>-UL</b>
	STALLION BASE MODEL	NO. OF CYLINDERS	RAW HP	UL LISTED

**BLACK**  
**STALLION**  
[www.stallion-engine.com](http://www.stallion-engine.com)

*NOTE:  
DRAWINGS SUBJECT TO CHANGE WITHOUT NOTICE*



**BLACK**  
**STALLION**  
[www.stallion-engine.com](http://www.stallion-engine.com)

